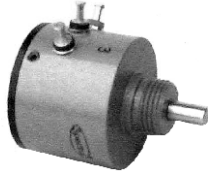


7/8" (22.2 mm) Single Turn Wirewound Precision Potentiometer



FEATURES

- Large range of ohmic values: From 5 Ω up to 100 kΩ
- Bushing mount or servo mount types are available
- Extra taps upon request
- Gangable up to 6 sections
- Compliant to RoHS directive 2002/95/EC



RoHS
COMPLIANT

ELECTRICAL SPECIFICATIONS		
PARAMETER	STANDARD	SPECIAL
Total Resistance: (Bushing 91 kΩ max.) Tolerance: 20 Ω and above Below 20 Ω	5 Ω to 20 kΩ ± 3 % ± 5 %	to 30 kΩ ± 1 % ± 3 %
Absolute Minimum Resistance	Linearity x total resistance or 0.5 Ω whichever is greater	
End Voltage	Linearity x total applied voltage for total resistance above 20 Ω, 2.0 % of total applied voltage for 20 Ω and below	
Linearity (Independent) 5 Ω to 100 Ω 100 Ω to 500 Ω 500 Ω to 5 kΩ 5 kΩ and Above	STANDARD ± 1.0 % ± 1.0 % ± 0.5 % ± 0.5 %	BEST PRACTICAL ± 0.75 % ± 0.50 % ± 0.35 % ± 0.25 %
Noise	100 Ω ENR	
Electrical Angle	350° ± 2°	
Power Rating Section 1 Additional Sections	1.25 W at 70 °C ambient derated to zero at 125 °C 75 % of the rating of section 1 (0.94 W at 70 °C)	
Insulation Resistance	1000 MΩ minimum, 500 V _{DC}	
Dielectric Strength	1000 V _{RMS} , 60 Hz	
Taps (Extra)	9 available as special, standard tolerance ± 2°	
Phasing (CCW End Points)	Additional sections phased to section 1 within ± 1°	

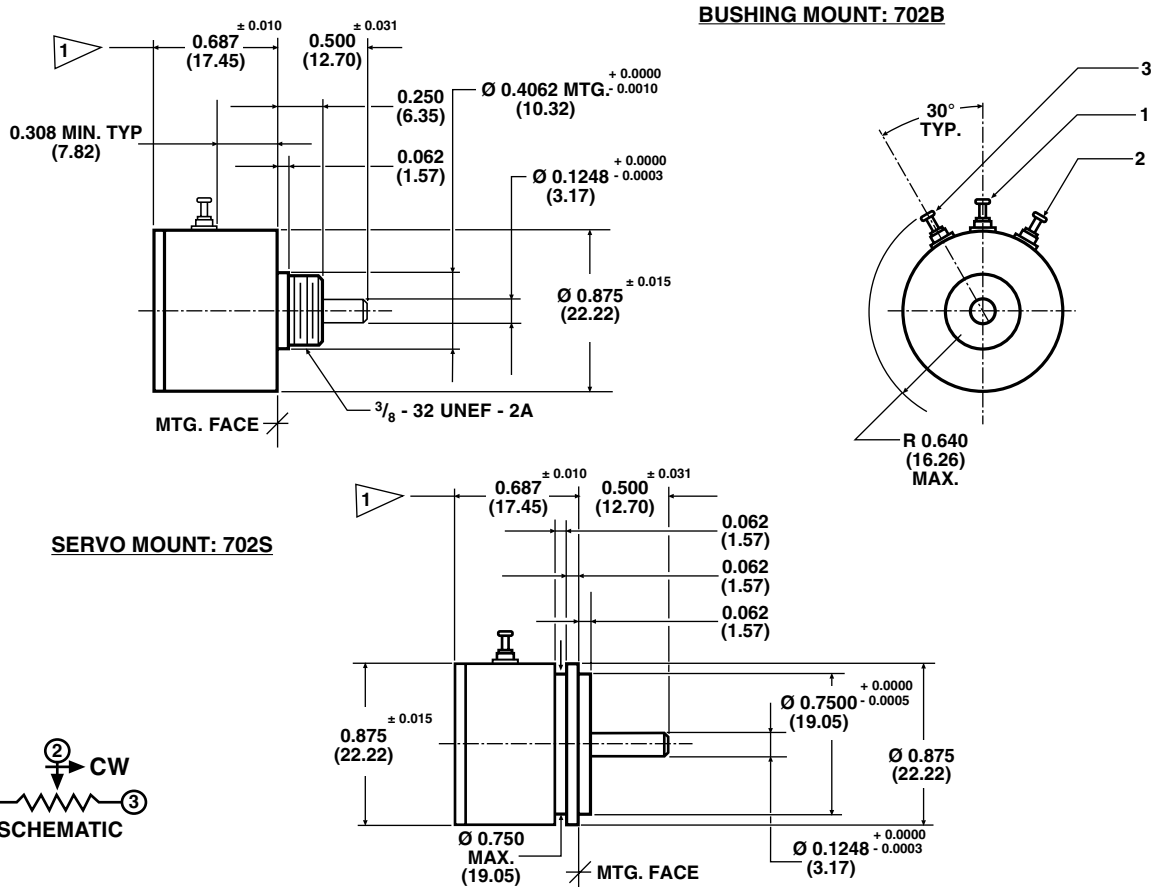
ORDERING INFORMATION/DESCRIPTION				
The Model 702 can be ordered from this data sheet with a variety of alternate characteristics, as shown. For most rapid service on your order, please state:				
702 MODEL	B MOUNTING TYPE B: Bushing S: Servo	1 NUMBER OF SECTIONS From 1 up to 6 sections (max.)	20K OHMIC VALUE	B01 PACKAGING Box of 1 piece
Other characteristics will be standard as described on this data sheet. If special characteristics are required, such as: special linearity tolerance, special resistance tolerance, extra taps, non-linear functions, etc., please state these on your order and allow additional lead time for delivery.				

SAP PART NUMBERING GUIDELINES					
702 MODEL	S MOUNTING TYPE S: Servo	2 NUMBER OF SECTIONS	050 OHMIC VALUE Section N° 1 050 = 5 Ω	100 OHMIC VALUE Section N° 2 100 = 10 Ω	B01 PACKAGING Box of 1 piece

**7/8" (22.2 mm) Single Turn Wirewound
Precision Potentiometer**

Vishay Spectrol

DIMENSIONS in inches (millimeters)



① ADD 0.500 (12.70) ± 0.002 FOR EACH ADDITIONAL SECTION

TOLERANCES: UNLESS OTHERWISE NOTED.
DECIMALS ± 0.005 ANGLES ± 2°

MECHANICAL SPECIFICATIONS		
PARAMETER		
Rotation	360° continuous	
Bearing Type	SERVO Ball bearing	BUSHING Sleeve bearing
Ganging	6 sections maximum Terminal alignment, added sections within ± 10° of section 1 terminals	
Torque (Maximum)	STARTING	RUNNING
Servo Section 1	0.10 oz. - in (7.20 g - cm)	0.085 oz. - in (6.12 g - cm)
Bushing Section 1	0.25 oz. - in (18.00 g - cm)	0.20 oz. - in (14.40 g - cm)
Each Additional Section	0.10 oz. - in (7.20 g - cm)	0.075 oz. - in (5.40 g - cm)
Mechanical Runouts (Maximums):	SERVO	BUSHING
Shaft Runout (TIR/In)	0.002" (0.05 cm)	0.002" (0.05 cm)
Pilot Dia. Runout (TIR)	0.002" (0.05 cm)	0.002" (0.05 cm)
Lateral Runout (TIR)	0.002" (0.05 cm)	0.005" (0.13 cm)
Shaft End Play	0.005" (0.13 cm)	0.005" (0.13 cm)
Shaft Radial Play	0.002" (0.05 cm)	0.004" (0.10 cm)
Moment of Inertia	0.12 g - cm ² per section maximum	
Weight:		
Single Section	0.6 oz. (17.01 g)	
Each Additional Section	0.2 oz. (5.67 g)	

Model 702



Vishay Spectrol

7/8" (22.2 mm) Single Turn Wirewound
Precision Potentiometer

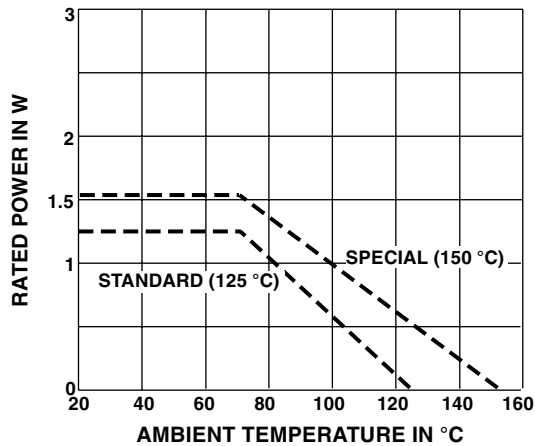
MATERIAL SPECIFICATIONS	
Housing and Lids	Aluminum, anodized
Shaft	Stainless steel, non-magnetic non-passivated
Terminals	Brass, plated for solderability
Bushing Mount Hardware Lockwasher Internal Tooth: Panel Nut:	Steel, nickel plated Brass, nickel plated

MARKING	
Unit Identification	Units shall be marked with Vishay Spectrol name, model no and date code, and on each section: resistance, resistance tolerance, linearity and terminal identification

ENVIRONMENTAL SPECIFICATIONS	
Vibration	15 g thru 2000 CPS
Shock	50 g
Salt Spray	96 h
Rotational Life	1 million shaft revolutions
Load Life	900 h
Operating Temperature Range:	- 55 °C + 125 °C

POWER RATING CHART

(Ratings for cup No. 1.
Additional cups 75 % of values shown)



RESISTANCE ELEMENT DATA					
STANDARD RESISTANCE VALUES (Ω)	RESOLUTION (%)	OHMS PER TURN	MAXIMUM CURRENT AT 70 °C AMBIENT (mA)	MAXIMUM VOLTAGE ACROSS COIL (V)	WIRE TEMP. COEF. (ppm/°C)
5	0.460	0.023	500	2.50	800
10	0.378	0.038	354	3.54	800
20	0.374	0.075	250	5.00	180
50	0.300	0.150	158	7.90	180
100	0.271	0.271	112	11.2	20
200	0.235	0.478	79.1	15.8	20
500	0.206	1.03	50.0	25.0	20
1K	0.156	1.56	35.4	35.4	20
2K	0.127	2.55	25.0	50.0	20
5K	0.101	5.07	15.8	79.0	20
10K	0.95	8.50	11.2	112.0	20
20K	0.90	17.9	7.90	158.0	20
50K	0.75	37.9	5.00	250.0	20
100K	0.65	64.5	3.54	354.0	20



Disclaimer

All product specifications and data are subject to change without notice.

Vishay Intertechnology, Inc., its affiliates, agents, and employees, and all persons acting on its or their behalf (collectively, "Vishay"), disclaim any and all liability for any errors, inaccuracies or incompleteness contained herein or in any other disclosure relating to any product.

Vishay disclaims any and all liability arising out of the use or application of any product described herein or of any information provided herein to the maximum extent permitted by law. The product specifications do not expand or otherwise modify Vishay's terms and conditions of purchase, including but not limited to the warranty expressed therein, which apply to these products.

No license, express or implied, by estoppel or otherwise, to any intellectual property rights is granted by this document or by any conduct of Vishay.

The products shown herein are not designed for use in medical, life-saving, or life-sustaining applications unless otherwise expressly indicated. Customers using or selling Vishay products not expressly indicated for use in such applications do so entirely at their own risk and agree to fully indemnify Vishay for any damages arising or resulting from such use or sale. Please contact authorized Vishay personnel to obtain written terms and conditions regarding products designed for such applications.

Product names and markings noted herein may be trademarks of their respective owners.